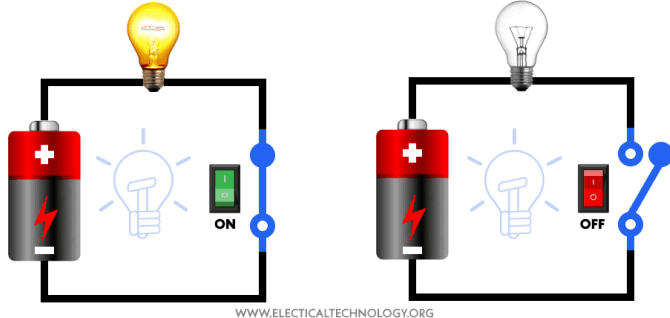
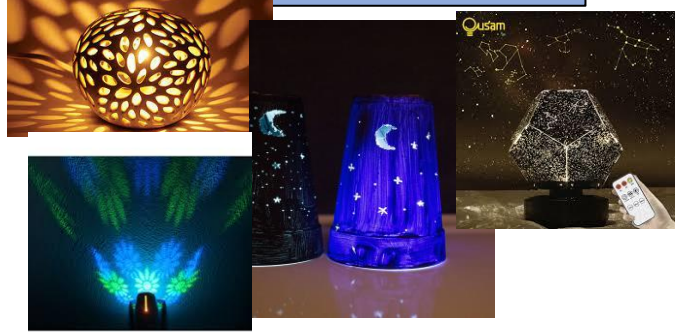




# What is an Electric Circuit?



## Existing ideas



Key Vocabulary	Definition
Switch	An electrical switch that can connect or disconnect a circuit.
Series Circuit	A simple pathway that lets electrons flow to one or more resistors. A resistor is anything that uses power from a cell (battery).
Conductor	An object or material that allows an electrical current to pass through.
Crocodile clip	A clip used to connect electrical circuits.



Find out more.

**Design Brief:**  
 You are going to be designing and making a nightlight fit for child aged under of 5. You will need to research and plan your design based on what a young child would like. Your design **MUST** include and electrical circuit, allowing a bulb to light up.

## Equipment list:

- Switches - crocodile clips - wires
- battery - coloured card -
- scissors - bulb - Plastic bottle

Plan

Design

Make

Evaluate

A plan helps us to decide what materials we need and how best to use them. For this topic you will plan the materials you will use and designs that you will want to have on your nightlight.

An important part of the project is the design stage. Sketch and design your nightlight and consider what colours you will use where. What pattern will you make to allow light to pass through?

When making your nightlight it is important that you follow your plan and design for the best outcome. Take your time and practise the skills that you have been learning.

Evaluating our project is a great way to think about what we have achieved. If you were to do the project again what would you change? How could you make your nightlight even better?